

⚠ WARNING

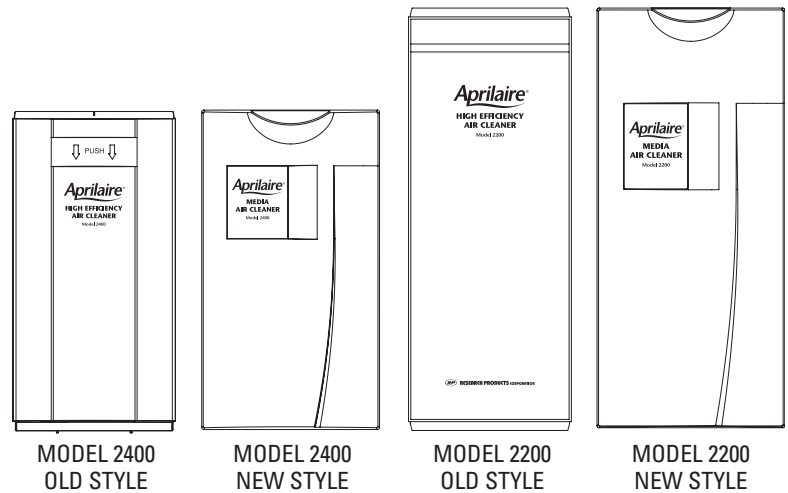
Sharp edges may cause injury from cuts. Use caution when handling sheet metal.

⚠ CAUTION

1. Read instructions thoroughly before beginning installation.
2. Do not install the upgrade kit in a location where the media will be in direct exposure to UV light. UV lights will cause degradation of the filtering media.

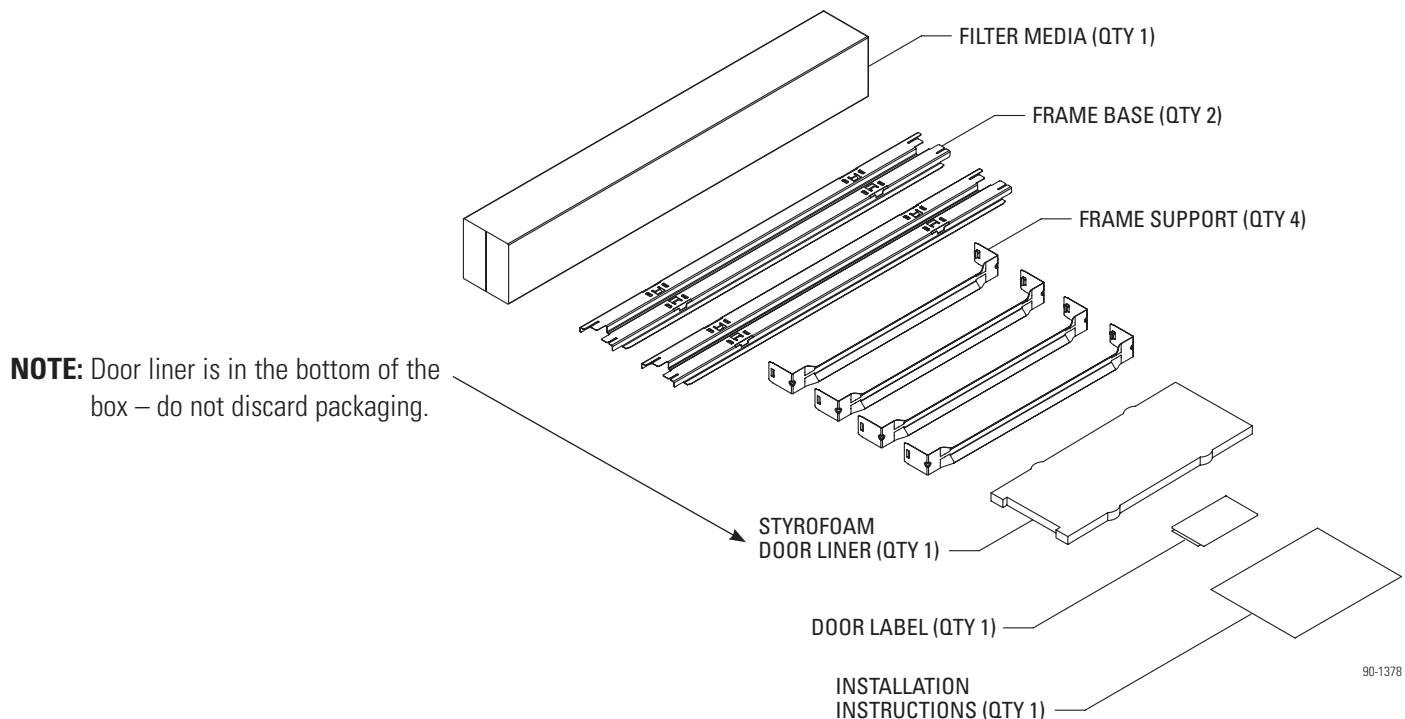
APPLICATION

Fits all Model 2400 air cleaners and Model 2200 air cleaners produced after 1985 (see illustrations at right).



90-1377

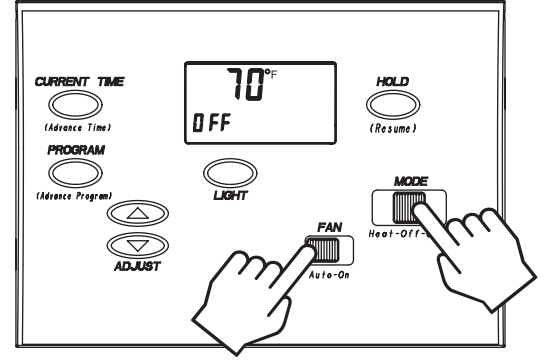
CONTENTS OF PACKAGE



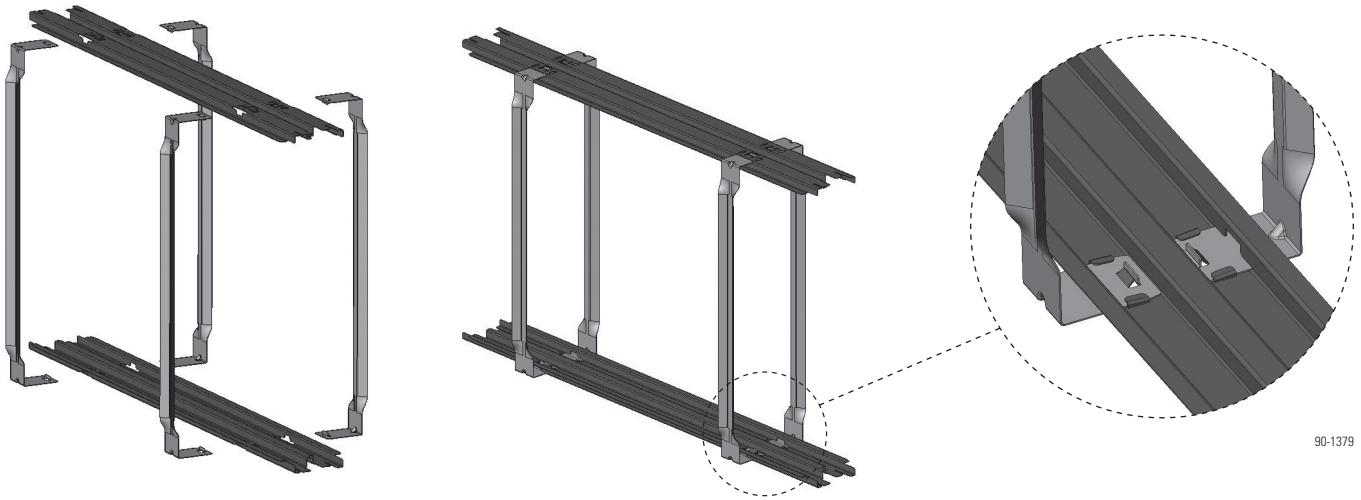
90-1378

INSTALLATION

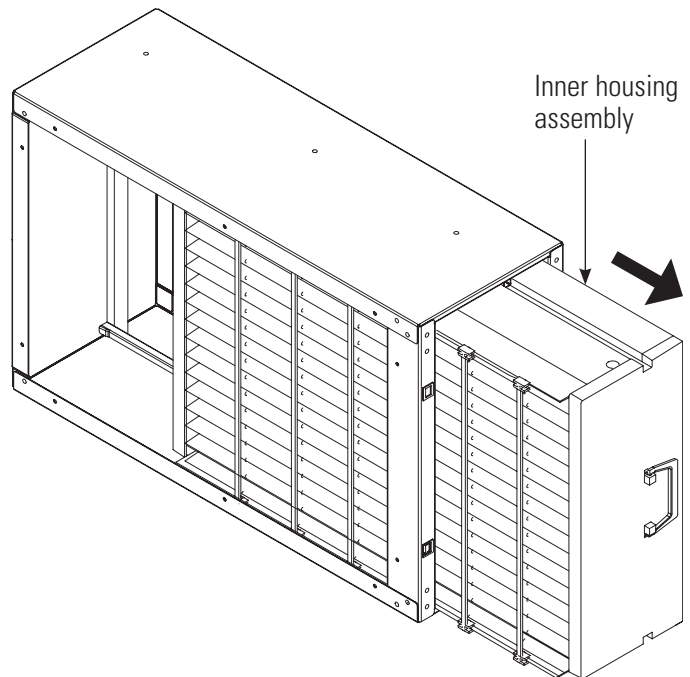
1. **IMPORTANT:** Turn the thermostat mode to OFF and fan to AUTO.



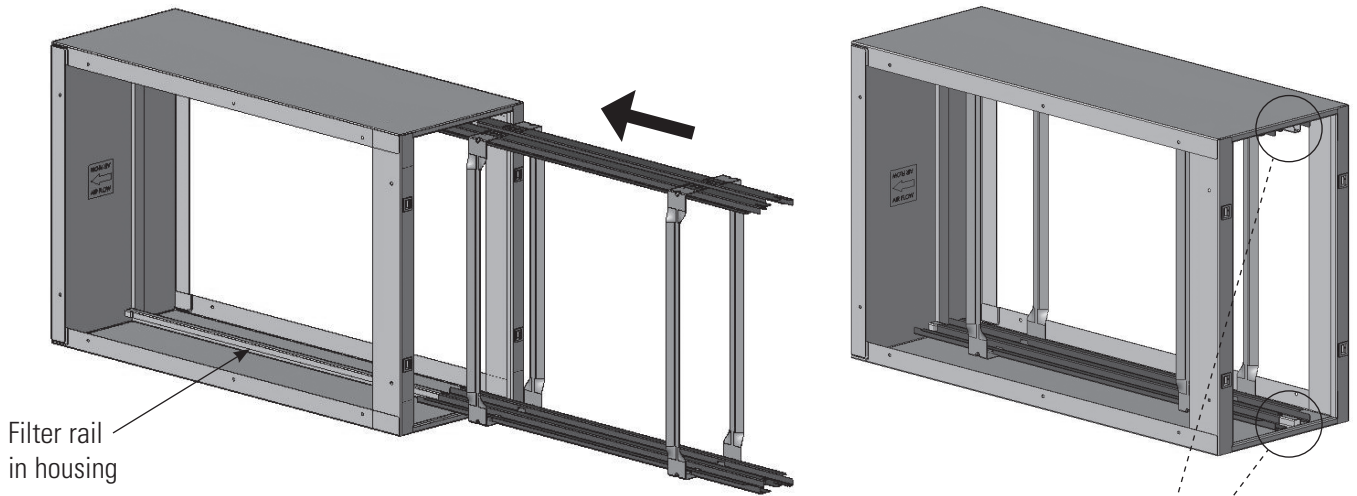
2. Snap frame supports into frame base as shown – eight (8) places. **Make sure the support slides in and hits the center rail of the frame base.**



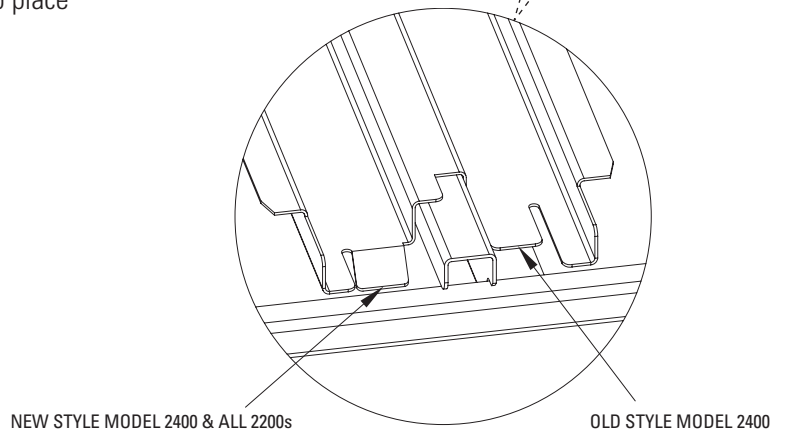
3. Remove the door from the air cleaner.
4. Remove and discard the inner housing assembly.



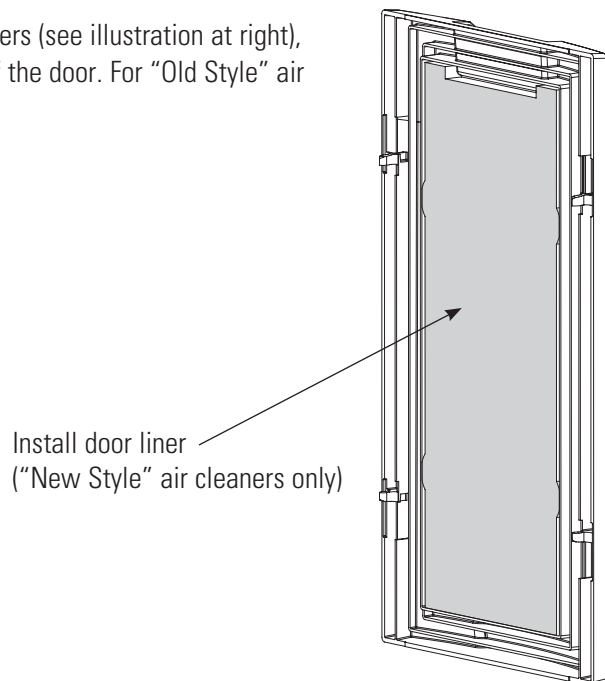
5. Align the assembled Upgrade Kit frame with the filter rails in the air cleaner housing and slide the frame completely into the air cleaner.



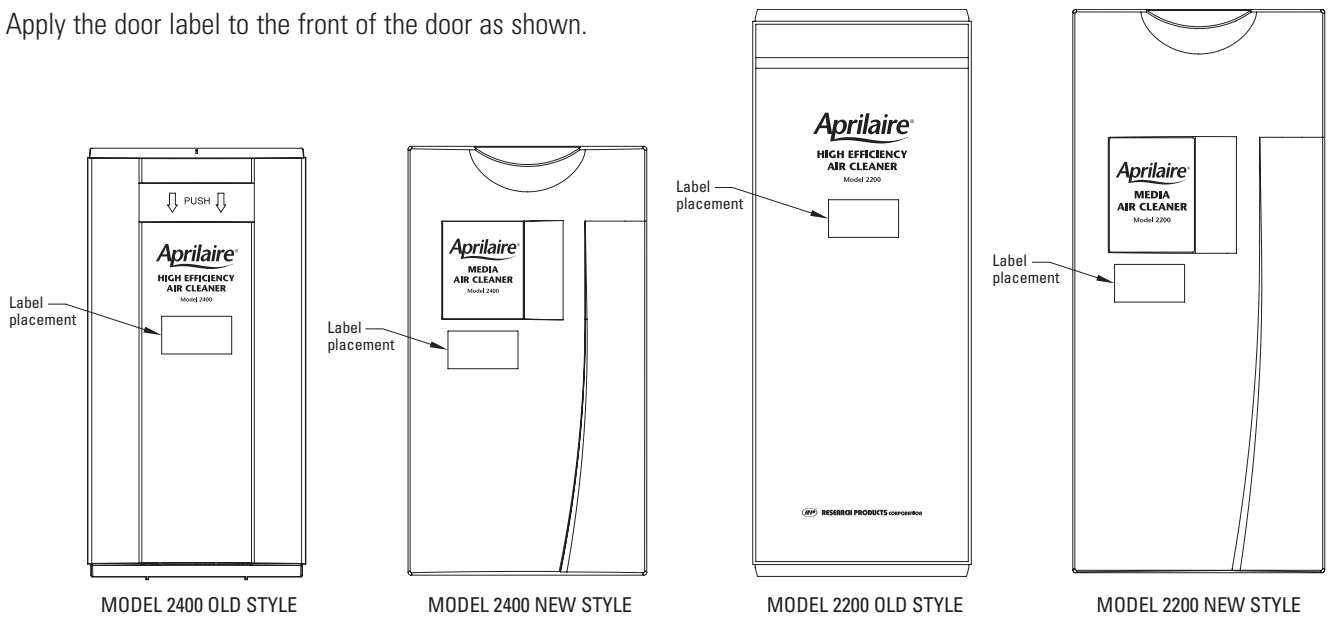
6. Bend the appropriate locking tab to lock the frame into place at the top and bottom.



7. For "New Style" Model 2200 and 2400 air cleaners (see illustration at right), press the Styrofoam door liner into the center of the door. For "Old Style" air cleaners, the door liner is not needed.

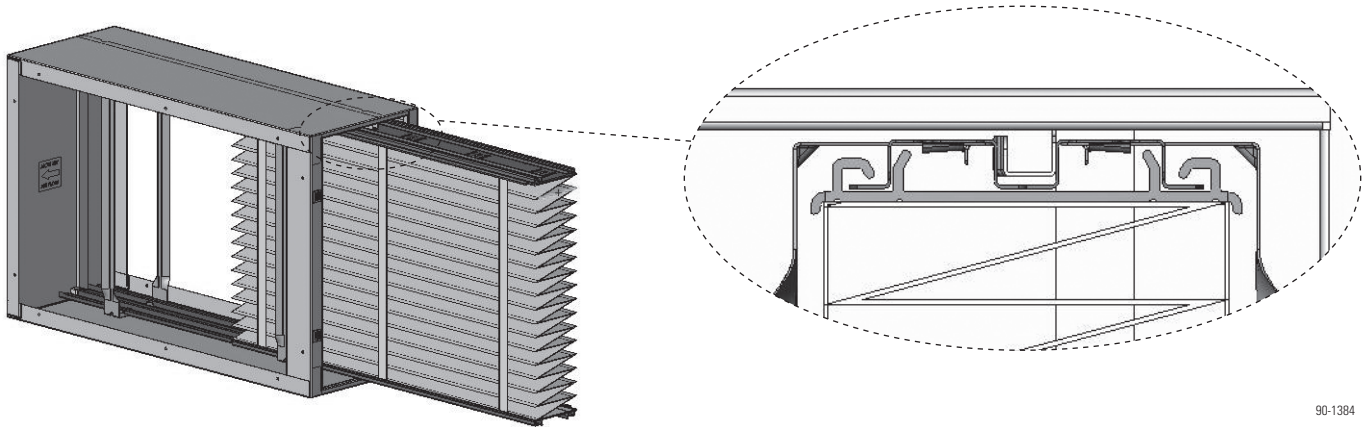


8. Apply the door label to the front of the door as shown.



90-1383

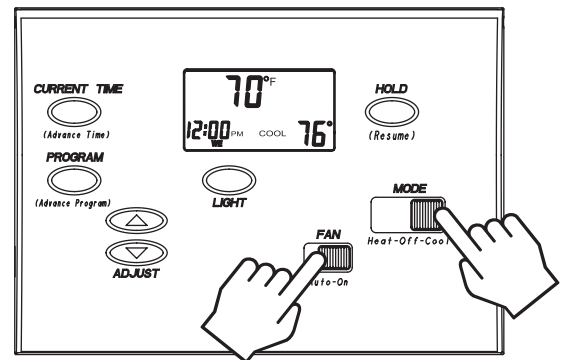
9. Install the media into the Upgrade Kit frame using the directions on the filtering media sleeve to ensure the media is in the correct orientation; the outlet side of the media is the expanded metal side.



90-1384

10. Install the air cleaner door.

11. Return the thermostat mode and fan to the desired setting.



90-1386

RESEARCH PRODUCTS CORPORATION

P.O. Box 1467 • Madison, WI 53701-1467 • Phone: 800/334-6011 • Fax: 608/257-4357 • www.aprilairepartners.com